

# Back Drop Installation Instruction

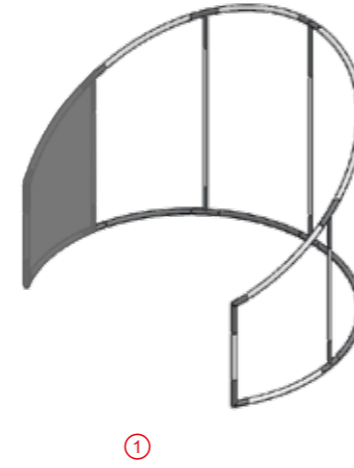
HALF CIRCLE WALL  
SKU:EVBDHC-250X300-R

**EZEXPO**  
sa.ezexpo.com

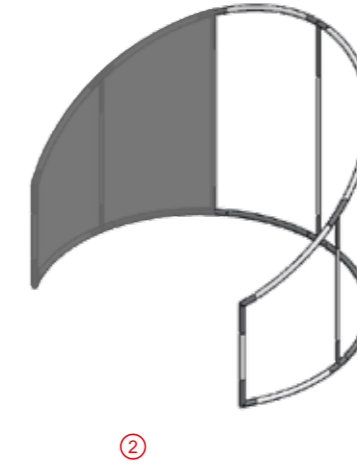


## Formulate Straight Fabric Display

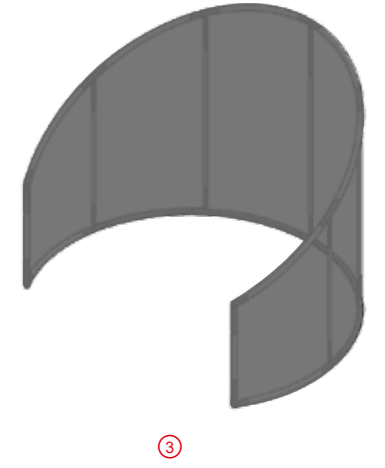
Attaching Graphics



①



②



③

HALF CIRCLE WALL | SKU:EVBDHC-250X300-R

2

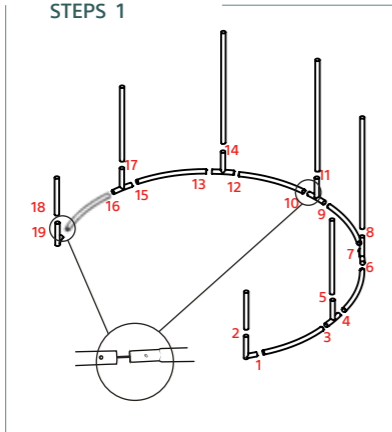


## Backdrop Installation Instruction

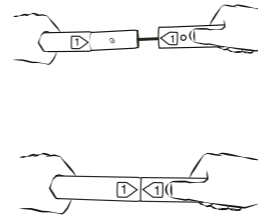
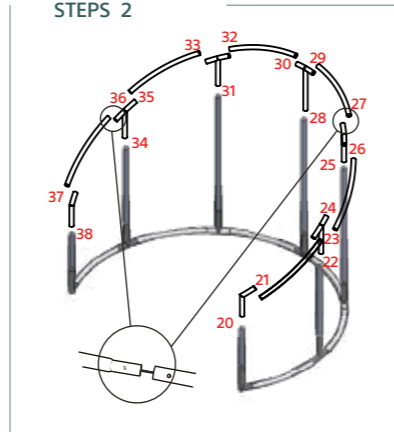
SKU:EVBDHC-250X300-R



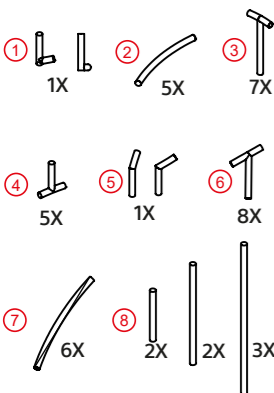
STEPS 1



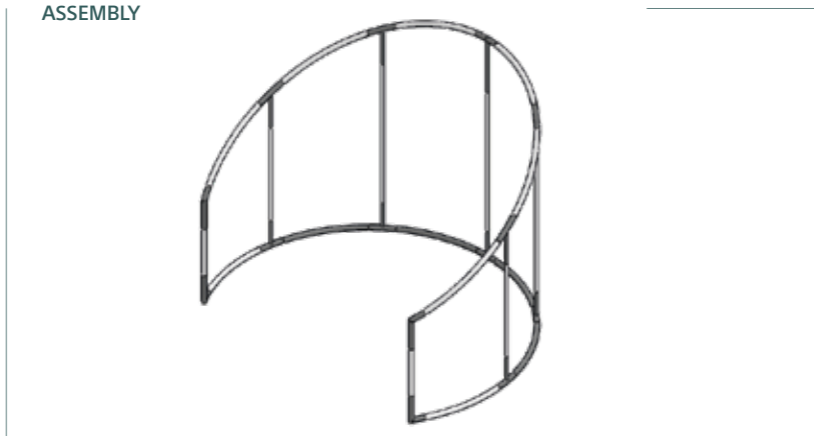
STEPS 2



PARTS



ASSEMBLY



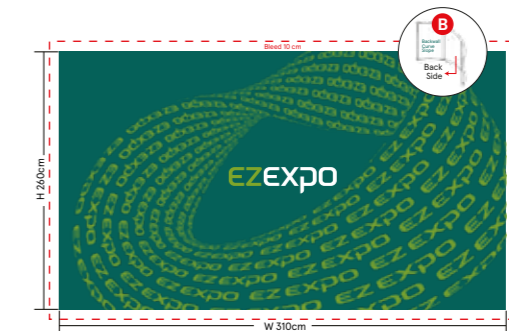
## Graphics & printing Installation



Perspective



Front Side



Back Side

### Notes :

- Please Use CMYK Mode For best Color Matching. Check all scans are CMYK (not RGB)
- 70 - 100 dpi at the overall graphic layout size.
- Be aware of Safe Visible Area and keep important images and text inside this line.
- Convert all text to outlines before saving finished artwork file
- File Formats must be in: Photoshop (.psd) Illustrator (.ai) - Acrobat (.pdf) - Other (.tif, .eps)
- Counter:
  - The graphic wrap is attached to the frame with a combination of the special one piece panel strip and magnetic tape.

HALF CIRCLE WALL | SKU:EVBDHC-250X300-R

3



1

# HALF CIRCLE WALL

SKU:EVBDHC-250X300-R



**EZEXPO**